

3 INCH COUNTERWEIGHT & SMALL CAPACITY ROLLER GUIDES ZRG-3



ZZIPCO

*SOURCE WITH CONFIDENCE
one-stop place to buy all your
elevator components*

ZZIPCO USA STANDARD ROLLER GUIDES

The 3 Inch counterweight and small capacity elevator roller guide offers unmatched performance in an easy to install and very reliable package.

Our exceptional roller guide improves the elevator ride quality at a very affordable price. Durable structural components, high quality Neoprene Rubber Roller wheels and dependable Ball Bearings are some of the unique characteristic.

These 3 inches rollers can be used on counterweights, and small capacity traction and hydraulic applications. Easy to follow instructions for the correct adjustments in the field are also provided with each set of Roller Guides.

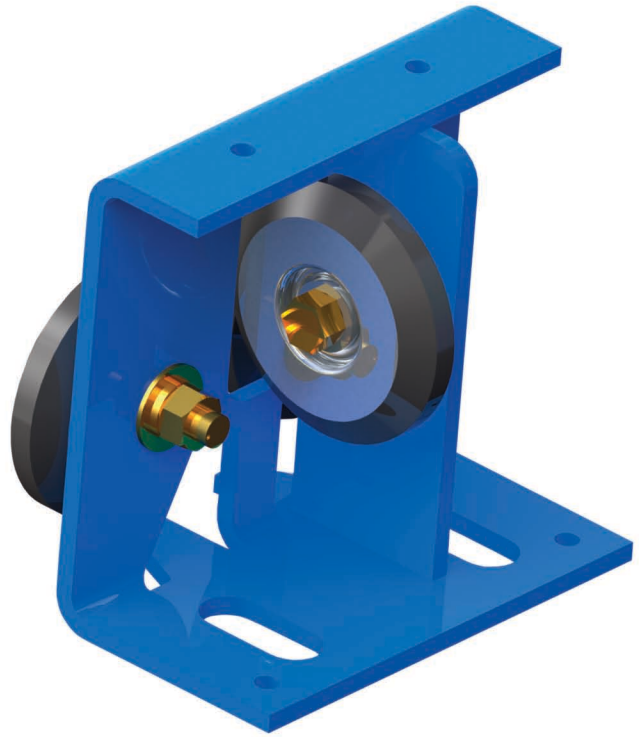
A full line of spare parts is also available through our website.

3" ROLLER GUIDE APPLICATION

- For 8 to 15 lbs/ft Applications.
- Industry standard hole pattern.
- Car up to 200 fpm (1.0 m/sec)
- CWT up to 400 fpm (2.0 m/sec)
- Car and CWT Maximum Rated Load 2200 lbs (1,000 Kg.)
- Low Rise Traction & Hydraulic Elevators

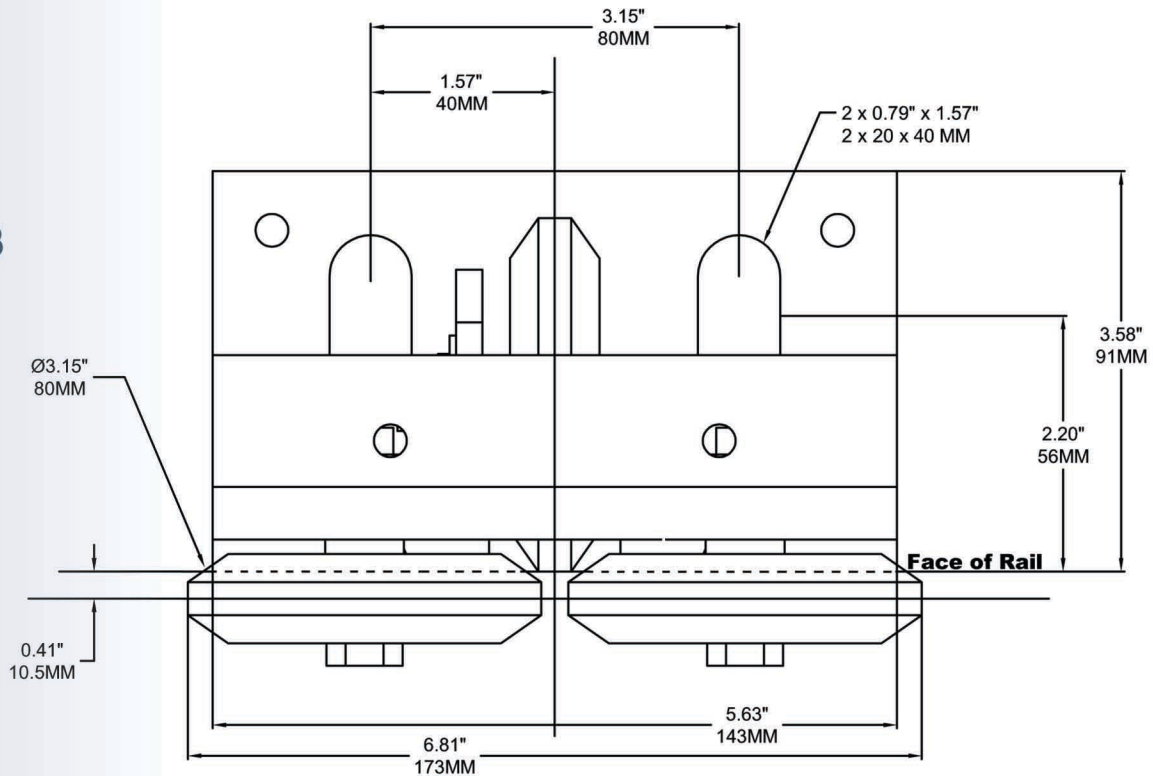
ROLLER GUIDE MAIN CHARACTERISTICS

- Hole Pattern market compatible
- Neoprene Rubber Wheels
- High Quality Structural Components
- Rugged Ball Bearings
- Eccentric Adjustable Bolts

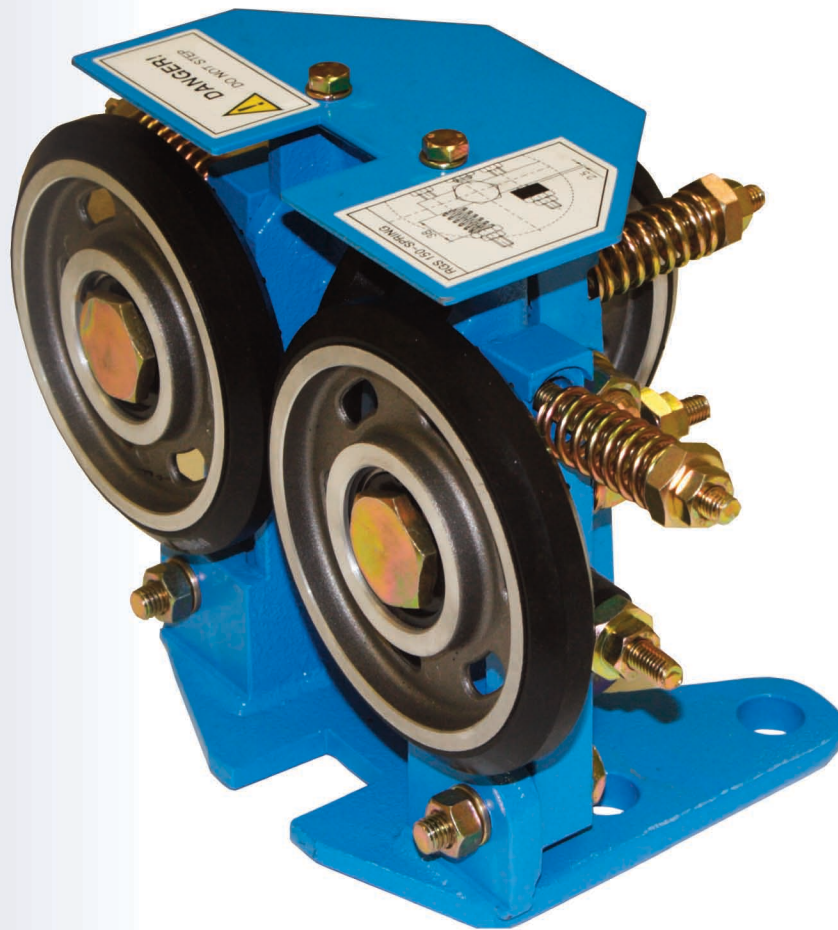


PART NUMBER: ZRG-3

(4 ROLLER GUIDES PER SET)



NOTE: Actual dimensions and specifications of the products listed on these pages may change without notice to conform with the most recent regulations and standards.



6 INCH MODERATE SPEED ELEVATOR ROLLER GUIDES ZRG-6



ZZIPCO

SOURCE WITH CONFIDENCE
*one-stop place to buy all your
elevator components*

ZZIPCO USA STANDARD ROLLER GUIDES

The 6 Inch moderate speed elevator roller guide offers incomparable performance in an easy to install and very reliable package.

Our exceptional roller guide improves the elevator ride quality at a very affordable price. Adjustable stops, durable structural components, high quality Neoprene Rubber Roller wheels, stabilizing adjustable springs and dependable Ball Bearings are some of the unique characteristics.

Easy to follow instructions for the correct adjustments in the field and actual size templates are also provided with each set of Roller Guides.

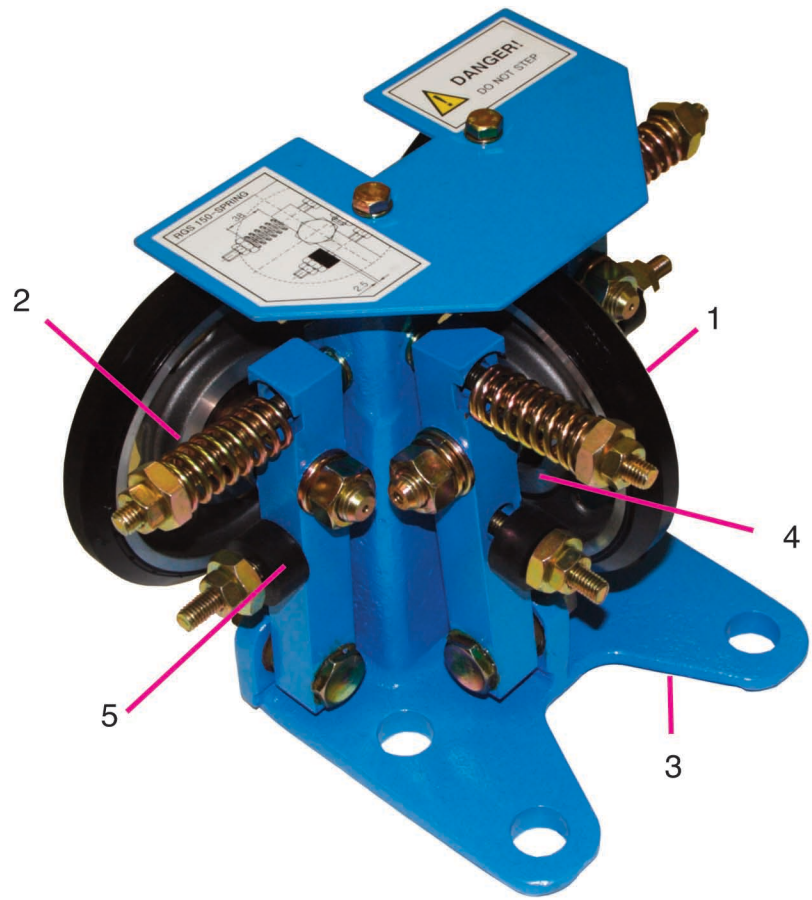
A full line of spare parts is also available through our website.

6" ROLLER GUIDE APPLICATION

- For 8 to 15 lbs/ft Applications.
- Industry standard hole pattern.
- Car up to 500 fpm (2.5 m/sec)
- CWT up to 750 fpm (4.0 m/sec)
- Car and CWT Maximum Rated Load 3500 lbs (1,600 Kg.)
- Low to Mid Rise Traction Elevators

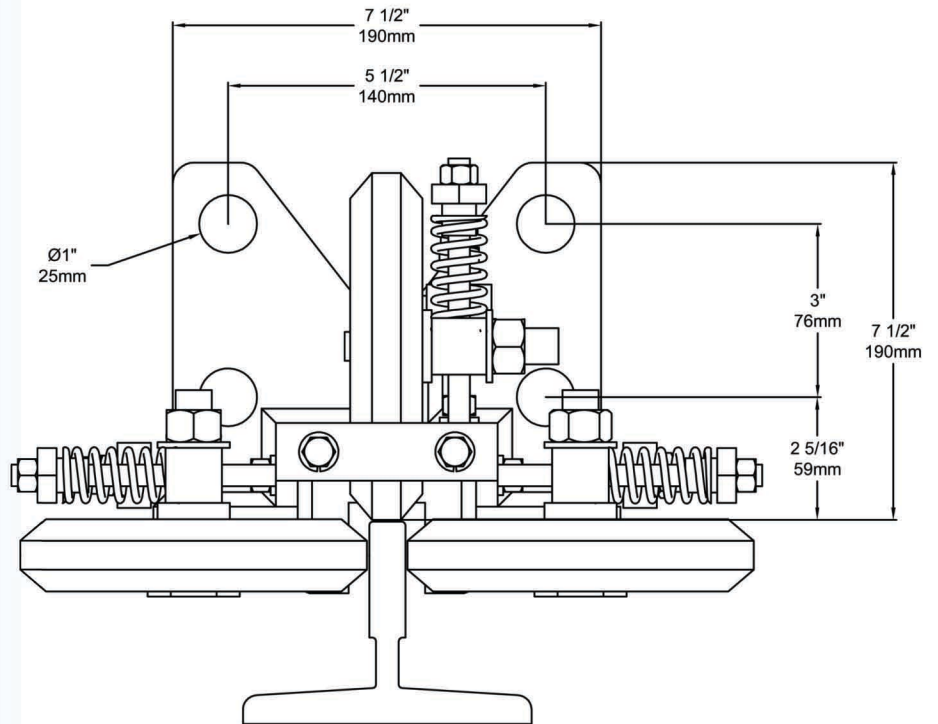
ROLLER GUIDE MAIN CHARACTERISTICS

- 1 Neoprene Rubber Wheels
- 2 Fully Adjustable Stabilizing Springs
- 3 High Quality Structural Components
- 4 Rugged Ball Bearings
- 5 Adjustable Stops



PART NUMBER: ZRG-6

(4 ROLLER GUIDES PER SET)



NOTE: Actual dimensions and specifications of the products listed on these pages may change without notice to conform with the most recent regulations and standards.